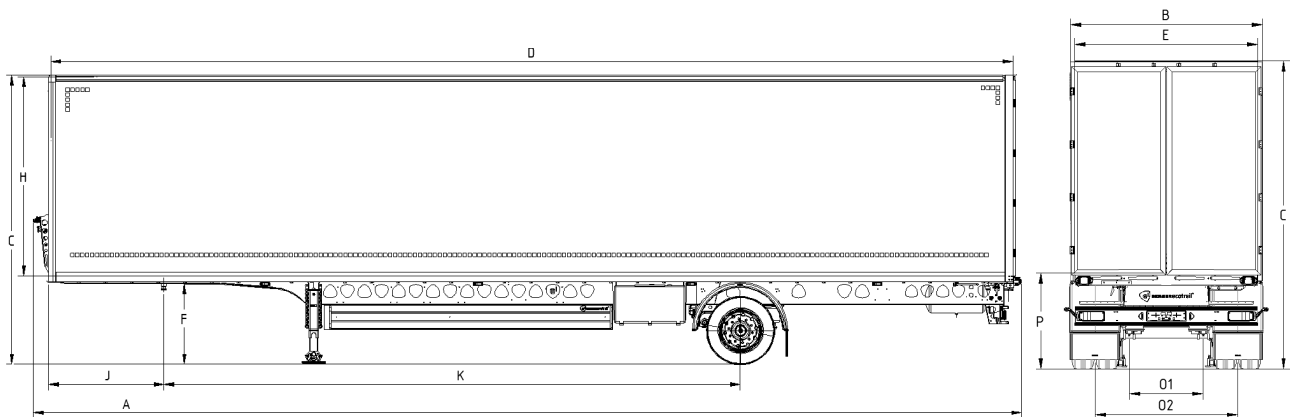


1 axle semi-trailer with a lightweight steel construction an box body
 „Aluteam Type BR143-2“



Technical Data (Basic Equipment)

	Tare weight	4.840	kgs
	Vertical load / technically possible	11.000 / 12.000	kgs
	Axle assembly load / technically possible	10.000 / 12.000	kgs
	Gross weight / technically possible	21.000 / 24.000	kgs
	Theoretical payload / practical payload evenly distributed	16.160 / 19.160	kgs
A	Total length	13.850	mm
B	Vehicle width	2.550	mm
C	Total height unladen	4.000	mm
D	Loading length	13.545	mm
	Loading width	2.464	mm
E	Loading width at the rear portal	2.420	mm
F	Coupling height (Attention: consider total height!)	1.120	mm
	Frame neck height (frame height at wheel coupling)	130	mm
I	Internal height (floor to lower edge of roof)	2.700	mm
J	Front overhand / front overhand radius	1.620 / 2.040	mm
K	Wheelbase	8.120	mm
	Tires	275/70 R 22,5	4.pcs.
O1/O2	Spring track / wheel track	980 / 1.860	mm
	Euro pallet capacity	32/33	pcs.
P	Rear loading height, unladen (trailer in horizontal position)	1.250	mm

Technical Description (Basic Equipment):

- Welded frame construction made of fine-grained steel S700, cross beam spacing (Z-profiles) approx. 375 mm
- Mechanical landing gear 2 x 12 t
- SAF axle assembly for 12 t axle assembly with disc brakes 22", 430mm; air suspension with raise/lowering device, operating valve at rear left
- Tires 4x, Goodyear, dimension 275/70 R22,5 148J on steel wheel rims
- EG- brake system type Wabco, mit Roll Stability Program (RSP), EBS 2S/2M, parking brake as spring brake with double release valve, aluminum compressed air tank, diagnostic capability via EBS socket ISO 7638
- 24 V lighting system, Hella, 2 x 7-pin and 1 x 15-pin plug socket according to DIN ISO 3731/12098, 2 multi-functional rear light systems (including rear fog lamp and reversing light), 2 clearance lights with rubber arms, 2 clearance lights (LED) on the front wall, 4 pairs of side marker lights (LED)
- Stable ecotrail-hybrid floor, GRP fabric on the underside as reinforcement and protection against moisture, floor sections tightly sealed on the outer frame, permissible forklift axle load 5.460kg in accordance with DIN EN 283
- 1 pc. of shim with holder
- Extendable rear access ladder
- 2 x ECE 70 reflectors on the rear doors
- Underride guard and lateral protective according to regulations 70/221/EWG and 89/297/EWG, each made of aluminium profiles
- Practical equipment with semi-circular mudguards with integrated spray suppression according to 91/226/EEC
- Door stops left/right
- 2 pcs. ramming buffers made of steel
- 2 toolboxes (left/right) in front of the axle
- Floor in rear area covered with aluminum checkered plate

Technical Description Boxbody Type: AluTeam BR143-2 (Basic Equipment):

- Structure certified for general cargo in accordance with DIN EN 12642 Code XL, DIN EN 12195-1 and VDI 2700, for maximum payload
- Boardvoltage 24V
- Roof design with panel type "Ferrofoam" 31mm; Top layers of steel 0.6mm painted. One light strip each on the right and left with motion detector at the back left, starting at the back.
- Baffle plate made of screen printing plate: standard 1,250mm high Skirting board 2mm galvanized 270mm high; 12mm beaded.
- Front wall design with panel type "Ferrofoam" 31mm, top layers steel 0.6mm painted.
- Side wall design with panel type "Ferrofoam" 31mm; Top layers steel 0.6mm painted.
- Skirting strip height=270mm, cranked, 1.5mm galvanized steel, continuous.
Lashing rail:
A combined anchor rail, countersunk, installation height from the floor to the middle of the rail 1,230mm, riveted throughout.
- Rear portal: rear stanchions in aluminum design 60mm, integral door "Aluteam version 2019" with smooth surface and 2 internal espagnolette locks and sturdy locks. Portal beam system Aluteam.

Paintwork:

- Paintwork for chassis and landing gear in a RAL-colour according to customer's request (no metallic or brilliant colours), connection board at the frontwall, lateral protective device including holder and landing gear cross-brace painted in RAL 9005 black, semi-gloss; underride guard and intermediate plates in anodized aluminium.
- Profiles and inaccessible areas additionally protected with cavity wax
- Boxbody RAL9010, white